

2021



RETRACTABLE ROOF PERGOLA

Sun and Rain protection for outdoor living space

ABOUT US

Who We Are

As a highly specialized manufacturer&exporter of building materials, ORLUTI has been engaged in the aluminum products industry since 2006, offering clients globally Decoration panel, motorised pergola louvered roofs, retractable roof,aluminium louvre window frame, aluminium shutter&louvres, aluminium windows and doors, window&door accessories.

ORLUTI continues to invest heavily in customer care and product development in order to equip our customers with the advice and market leading products they need to succeed in today's market.

Our Mission.

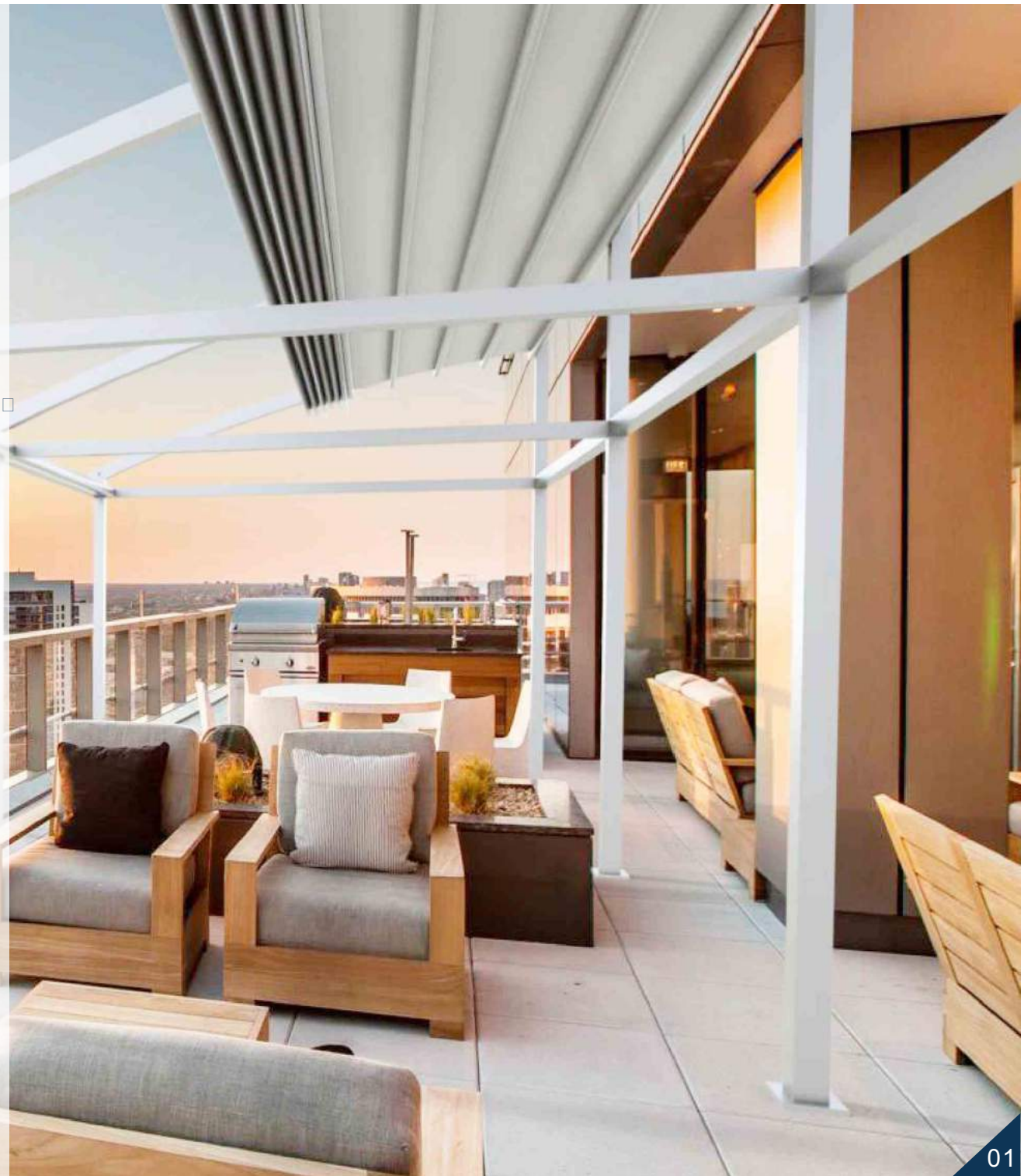
Our Mission

We seek to establish working relationships with our customers through commitment, communication and teamwork.

Our Vision

We strive to become our customers "preferred choice".

This vision is underpinned by the company's core values, values which have developed over the years and which are fundamental to the way in which ORLUTI operates.





RELAXING OUTDOOR SPACE

Retractable Roof System from AlunoTec is a great way to provide all year round weather protection from the elements, with the option of retractable roof and sides screen creating a totally enclosed area.

Available in many design options, the retractable roof has a fully retractable canopy cover, which at the touch of a button can be extended to provide shelter, or retracted to take advantage of the good weather. Due to the high tension PVC fabric, the canopy offers a flat surface that guarantees the discharge of rain water.

Retracted to take advantage of the good weather



Linear Strip LED Lights create a comfortable atmosphere





STRUCTURAL DESCRIPTION

ORLUTI Retractable ☐ Roof ☐ Consists ☐ of

- Extruded Aluminium Fabric Supports(with groove for lighting)
- Aluminium Rails, Gutters, Heavy-duty Internal Fittings
- Polyester Base Fabric
- Plastic Roller System
- Motor & Rotation Tube
- Fabric Support End Cap
- Custom Made Bracket
- Inbuilt Downpipe
- Posts and Base Plate
- Rain Wind Light Sensor(optional)
- Linear Strip LED Lighting(optional)
- Motorised Side Screen(optional)



- 100% Waterproof PVC Fabric

- The column can be moved freely

- Remote Control

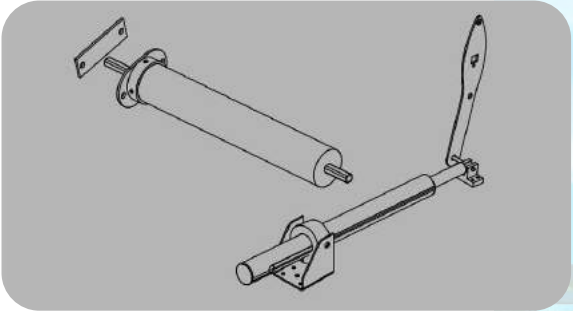
Enjoy the view and expanse at the touch of a button

■ ■ PRODUCT FEATURE



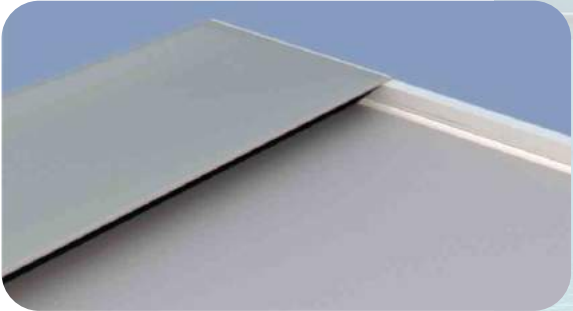
Anti-rain Flap

The anti-rain flap effectively prevents rainwater from entering, even in a windy environment. Using a unique bifold design and technology, the use of PVC and polyurethane materials are the combination of edgefold and awning frame.



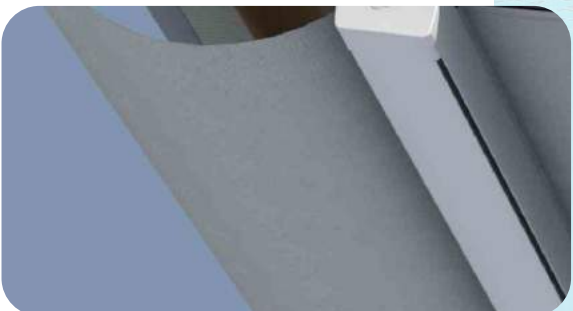
Engines

The motor of the retractable roof is specially designed for different design options. Using lightweight and durable materials that work seamlessly with the overall product to suit specific application areas.



Fixed Roof

The skeleton is specially designed for fixed installation of polycarbonate cover, protecting the engines from sun and rain and is easy to clean.



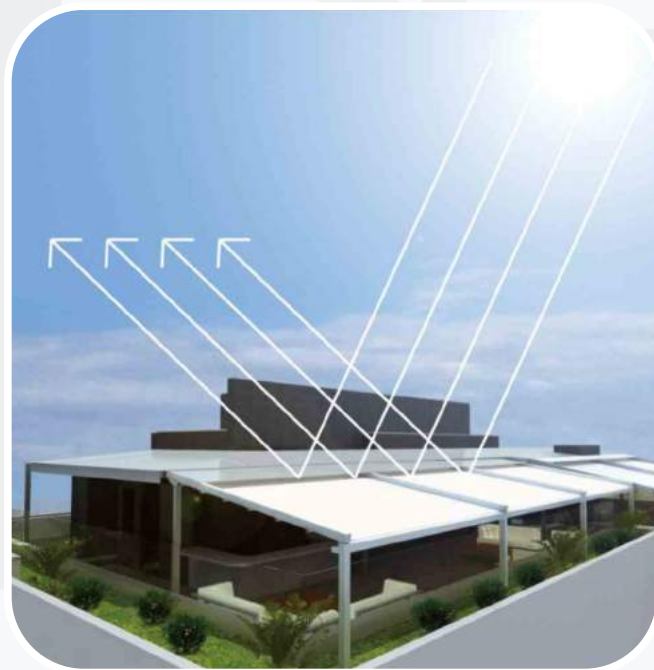
Canvas

Polyester white fabric can be attached to a system of transverse profile aluminum and slide along a horizontal rail by specially designed trolleys.

■ ■ PRODUCT FUNCTION

Wind Resistance

Retractable roof series product is designed for the durability and reliability, all of the components are specially designed, tested and manufactured. According to the European test standard EN-13561, its wind resistance can be up to 110km/h.



Energy Savings

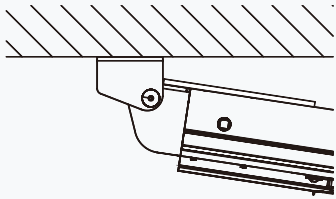
Retractable roof series product can effectively reduce energy consumption and building thermal effects. Blocking too much heat and light, more environmental, comfortable and energy saving.

DESIGN OPTIONS

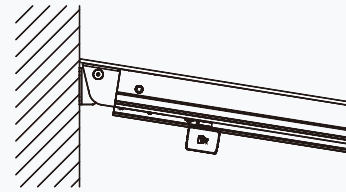
1. **Free Standing & Wall Mounted:** Structure supported on two posts and anchored to a wall.

Fixation Elements

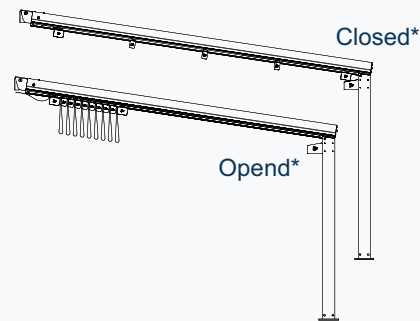
Articulated Roof Fixation Piece



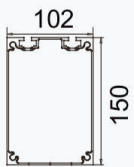
Articulated Wall Fixation Piece



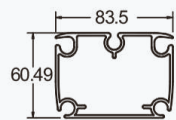
System Drawing



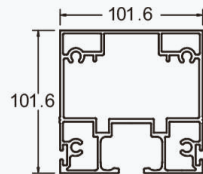
Measure of Profiles



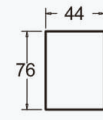
Post



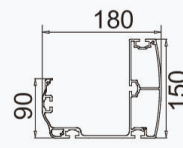
Big crossbar



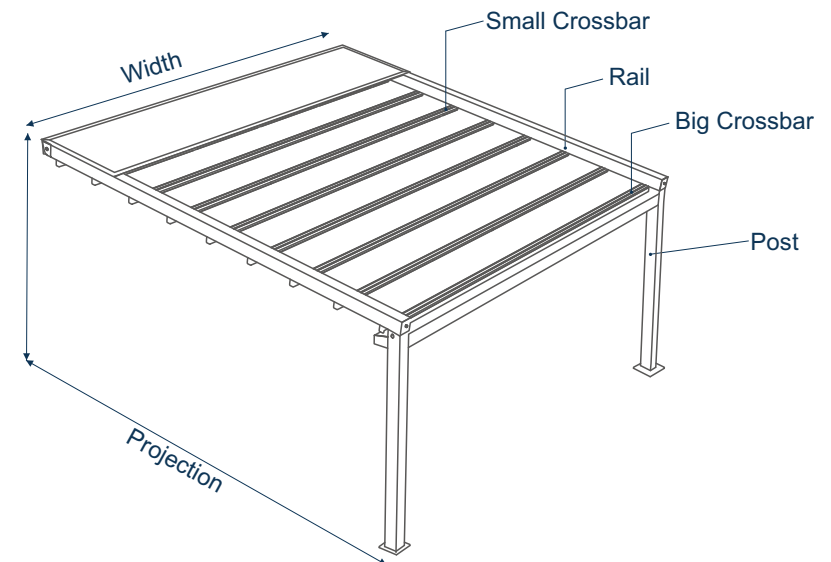
Rail



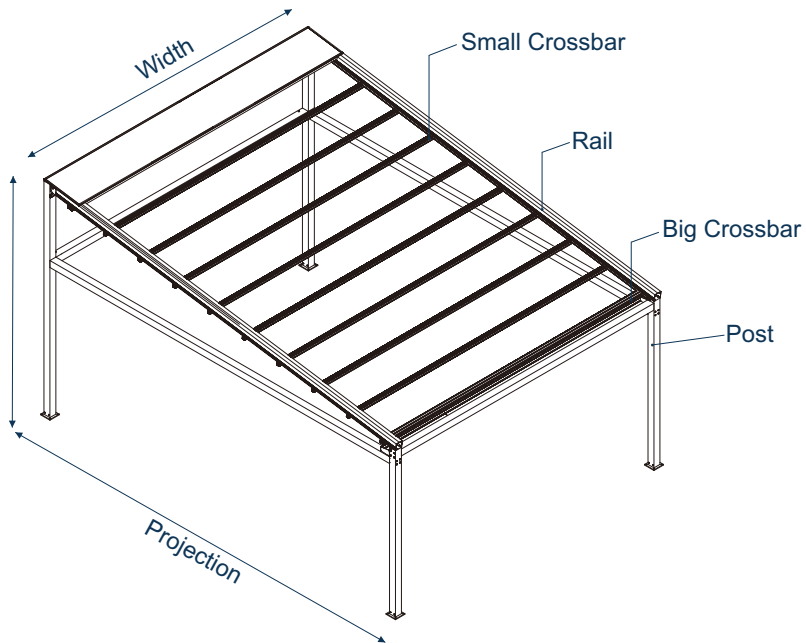
Support rod



Gutter

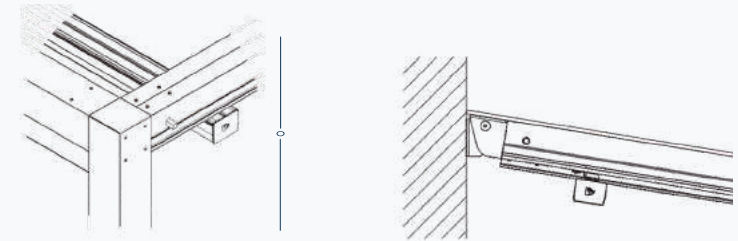


2.Free Standing: Structure supported on four posts in 4 corners of the structure.



Fixation Elements

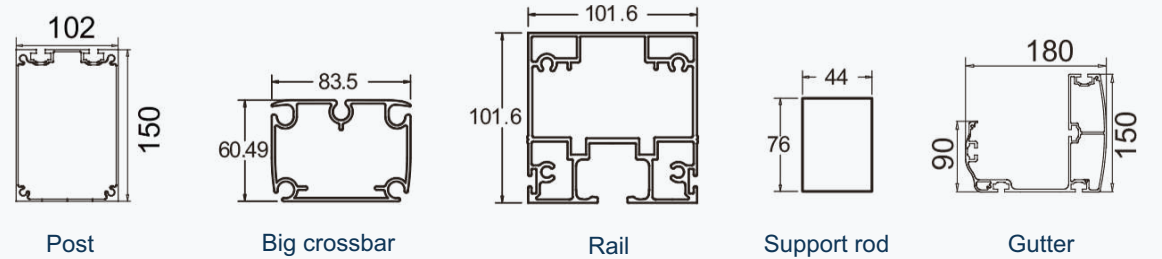
Articulated Wall Fixation Piece



System Drawing



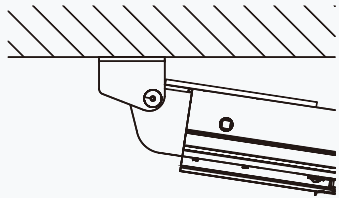
Measure of Profiles



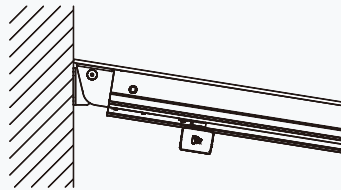
3.Wall Mounted: As its name indicates, the structure is installed between two walls avoiding being supported by the posts.

Fixation Elements

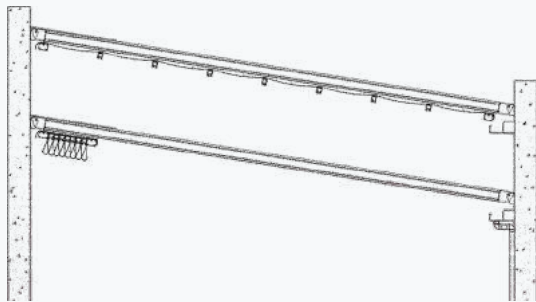
Articulated Roof Fixation Piece



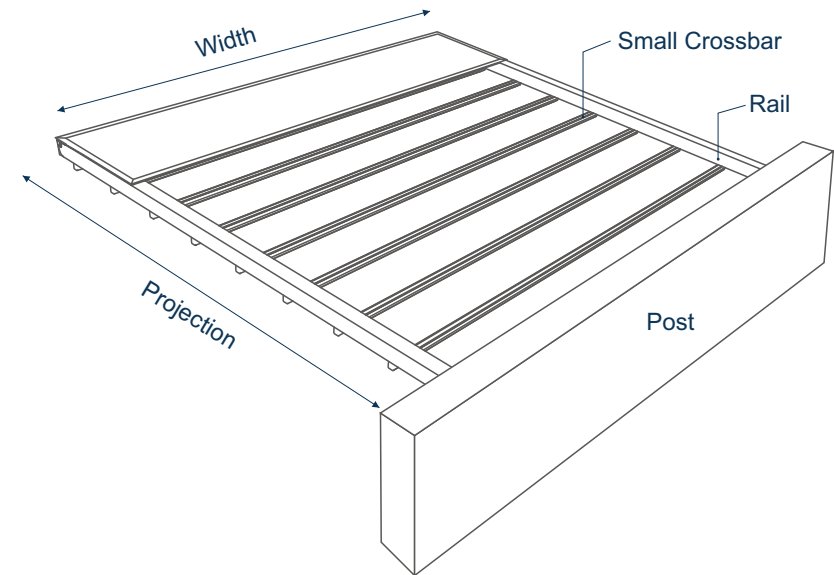
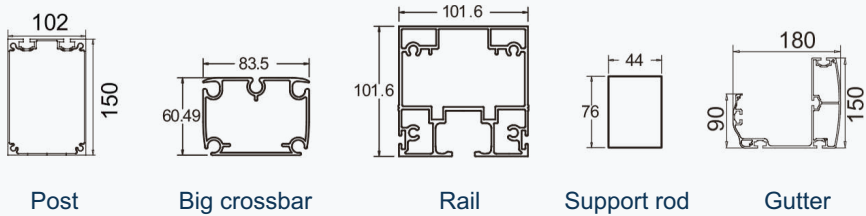
Articulated Wall Fixation Piece



System Drawing



Measure of Profiles

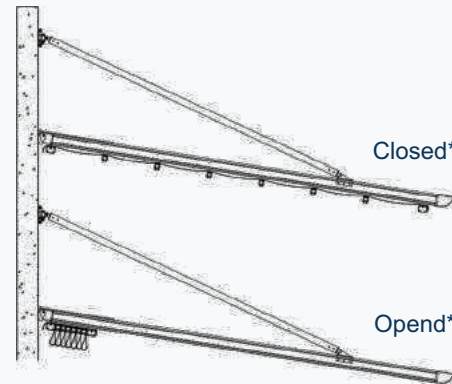


4.Wall Hanging: Structure supported to the wall with tensioners anchored to it.

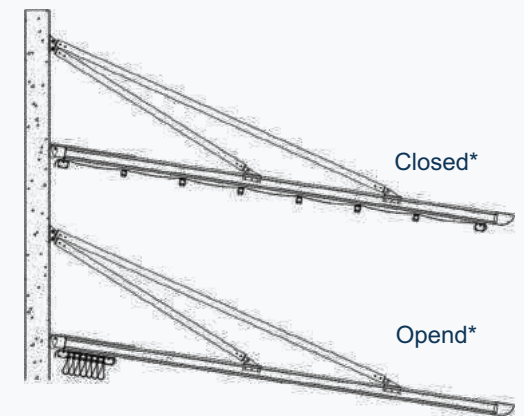


Fixation Elements

System Drawing

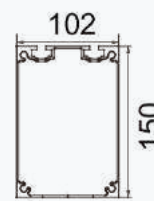


Articulated Roof Fixation Piece

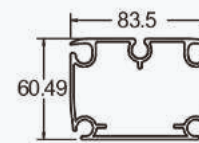


Articulated Wall Fixation Piece

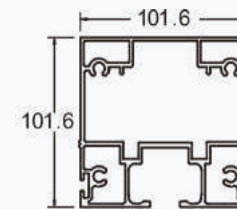
Measure of Profiles



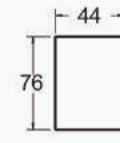
Post



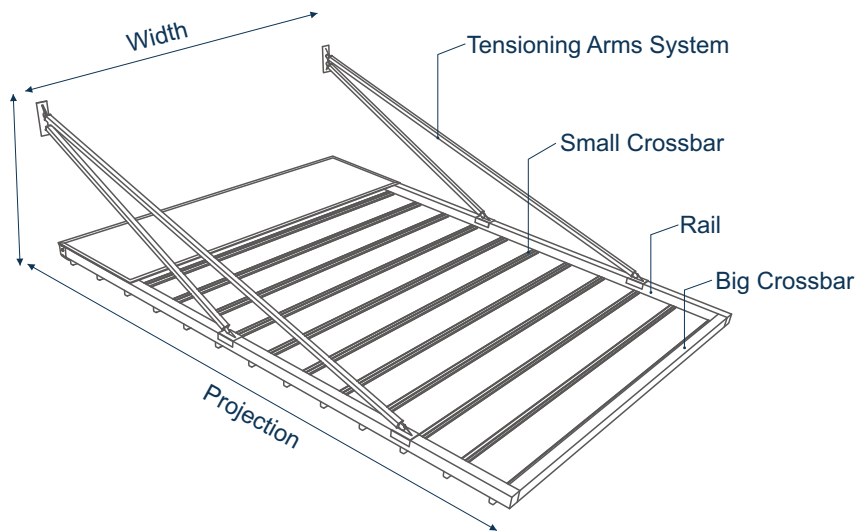
Big crossbar



Rail



Support rod

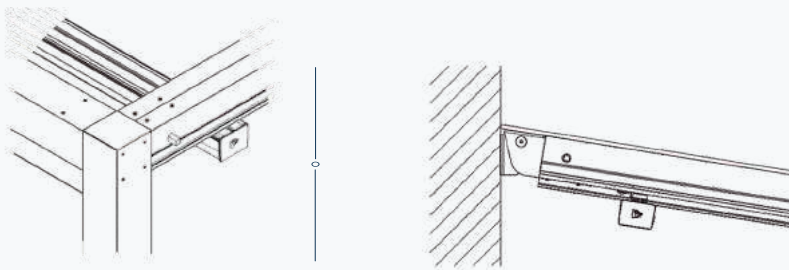


DESIGN OPTIONS (more than 6m projection)

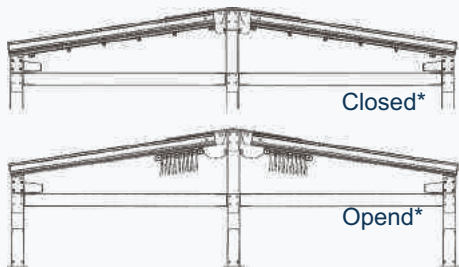
1.Free Standing: Structure supported on more posts to reinforce the structure.

Fixation Elements

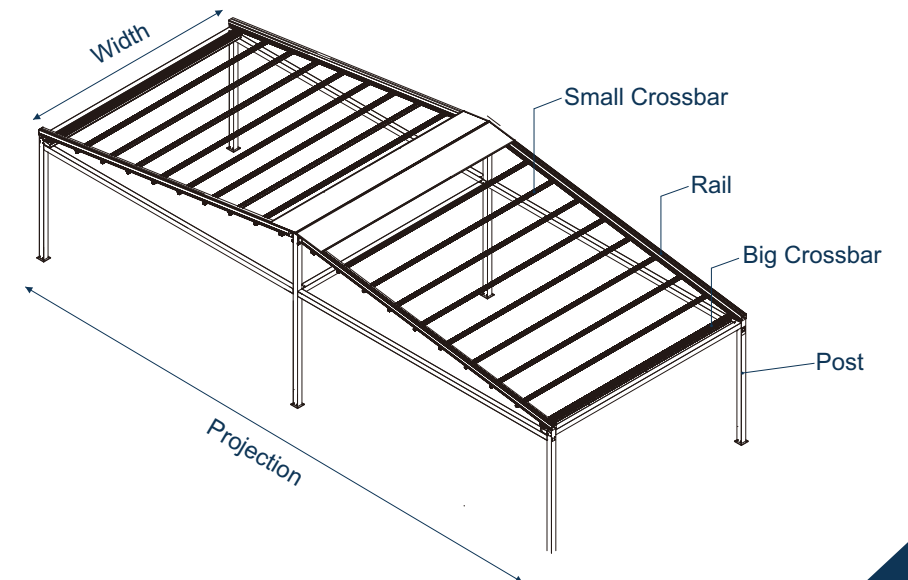
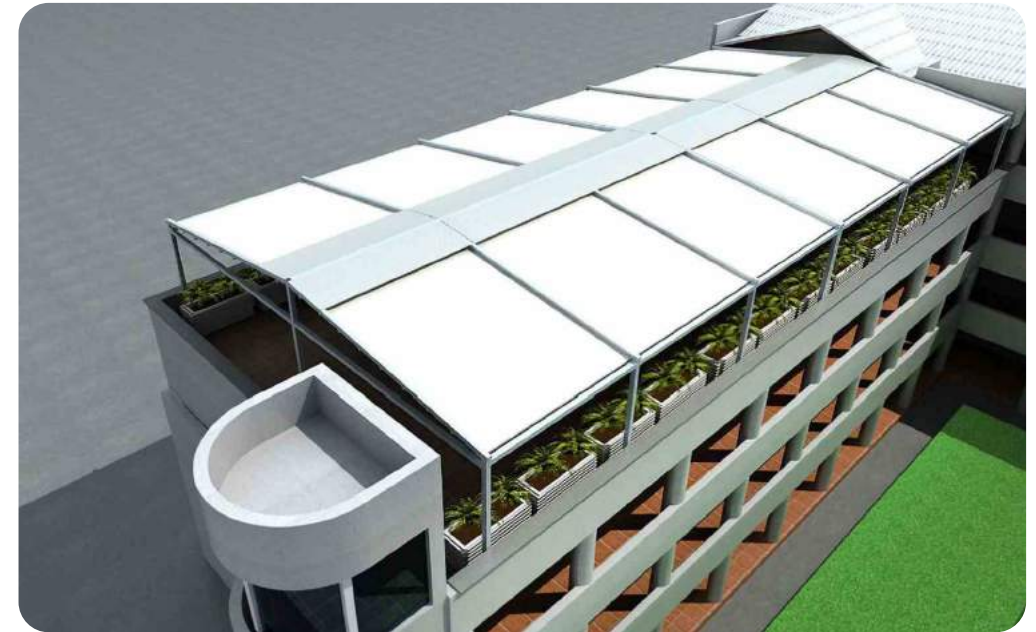
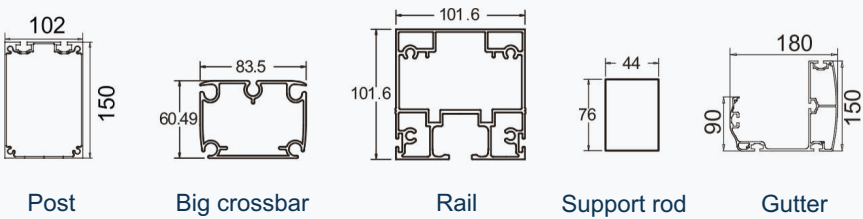
Articulated Wall Fixation Piece



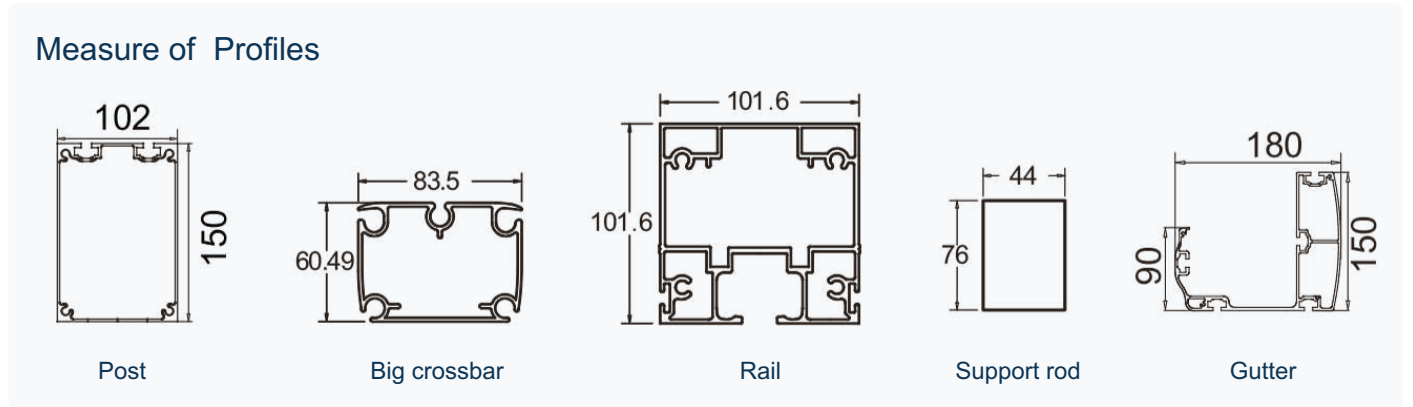
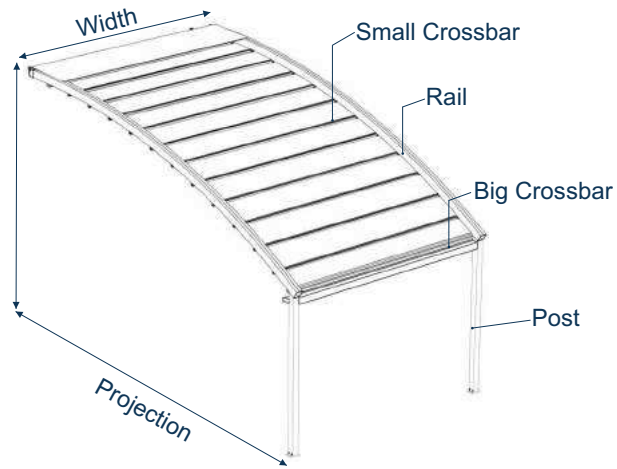
System Drawing



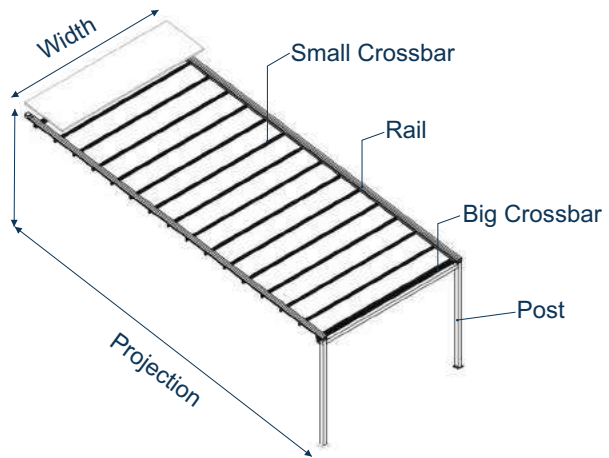
Measure of Profiles



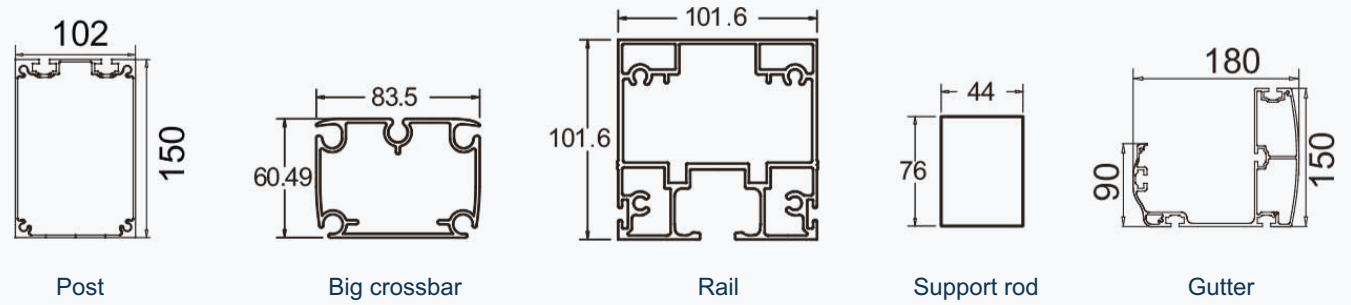
2.Free Standing & Wall Mounted (Curved Roof): Structure supported on two posts and anchored to a wall.



3.Free Standing & Wall Mounted (XL): Structure supported on two posts and anchored to a wall.



Measure of Profiles



OPTIONAL ACCESSORIES



Motorized Side Screen

The structures can also be supplemented with new side screen/curtains which are motorized and operated by special guides and closures which completely cover a space.



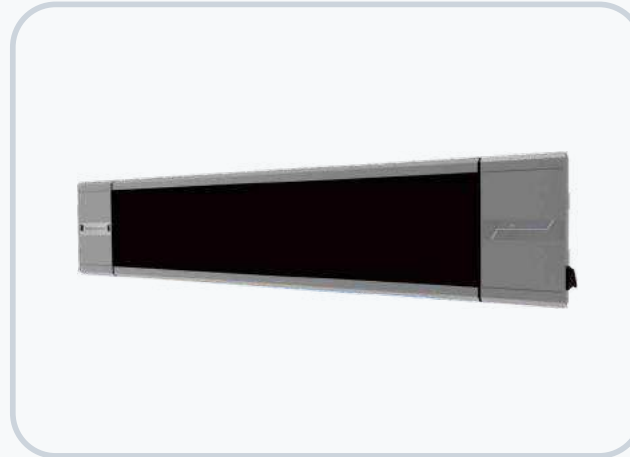
Linear Strip LED Lighting

ALUNOTEC LED Lights allow you to create a comfortable atmosphere on the structures.



Sliding Glass Doors

Sliding glass doors provides total protection and all-round vision, separating or opening indoor and outdoor spaces.



Electric Heater

During the summer we spend hours huddled under the shade of our pergolas to avoid the hot sun, but should we just abandon these spaces as the weather starts to cool off? You don't have to if you install overhead heaters that will extend the season.



WPC Decking

Natural wood texture, tire close to real wood, adopt new material and upgraded formula to make it stronger, stabilizer and more comfortable.

PROJECT CASE



Wide Applications Both Domestically and Globally



United States



United Kingdom



China



Thailand



Malaysia



Netherlands



Hong Kong



China





Retractable Roof



PROJECT CASE





Motorized Retractable Awning

It is adapted to your lifestyle so that you can enjoy the relaxation year after year.



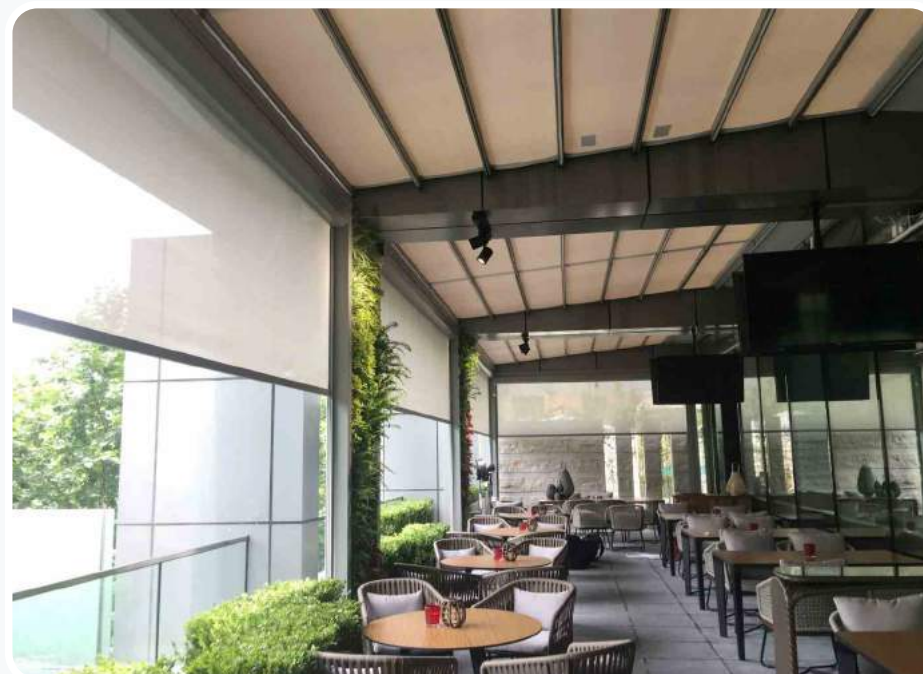
New Zealand



Australia



China



PROJECT CASE

If you can draw it, we can customize it for you!

ORLUTI has an outstanding team specializing in customer service and designing being responsive to your request with professional and suitable solutions Any after sales related issues will be responded timely by our patient customer service staff.



FAQ

1.What's your system made of?

Aluminum Retractable Roof is made of powder coated aluminum structure with Waterproof PVC Fabric.

2.What's your delivery time?

Usually 45 to 60 days upon receipt of 50% deposit.

3.What's your payment term?

T/T 50% deposit, 50% at the delivery

4.What's your Minimum Order Quantity? Does the size can be customized?

Our MOQ is 1 pcs in ORLUTI standard size.Welcome to customize the size with ORLUTI.

5.Can you offer free sample?

Sample is available but need to charge.

6.How it will hold up in my climate?

Retractable roof has been specifically engineered to withstand winds(50km/h).

7.What is your product warranty?

We offer 3-5 years warranty on the structure and fabric, along with a 1-year warranty on the electronics.

8.What types of features can I add to the awning?

We also offer the Linear Strip LED Lights system, the cooling systems, the heater, side screen, an automatic wind/rain sensor that will automatically close the roof when it starts raining. If you have any further ideas we encourage you to share them with us.

