

PERGO-X

PERGO-X combines unique double flat blades with architectural aesthetics to completely block rain from entering after all louvers are closed.



PERGO-X IS THE PERFECT CHOICE TO EXTEND YOUR OUTDOOR SPACE.
YOU CAN USE IT AS AN EXTENSION TO YOUR HOME,
OR COMPLETELY STANDING ALONE ON YOUR BALCONY!



Product Features:

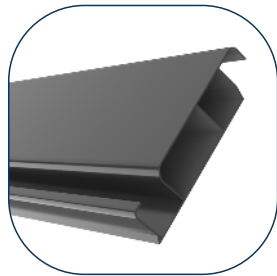
- Semi permanent structure
- Powder-coated aluminium frame
- Internal gutter system
- 2-3 hours build time(requires 2-3 people)

PRODUCT DETAILS & OPERATION SYSTEM

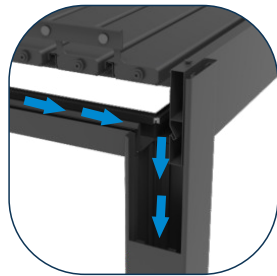
Product Details



Post



Blade

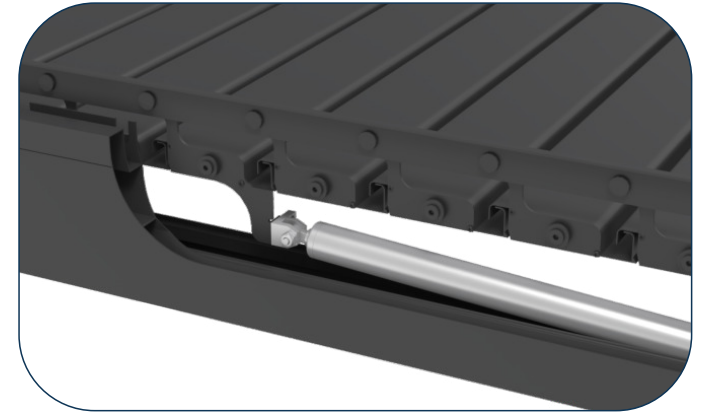


Gutter



Beam

Operation System



Motorized System



Manual System

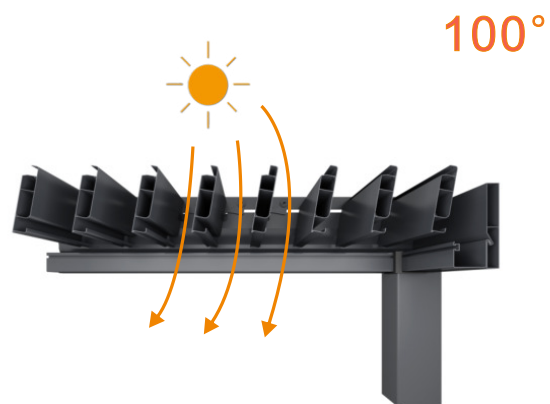
DRAINAGE SYSTEM



Louvers are designed such that they will interlock to keep out the weather. Deep channels in each louver carry water away to the in-built surrounding gutter.



Hot air rises you can leave the louvers partially opened. Tilt the louvers such that the sun is blocked but the warm air can escape through the opening at the louvers thus keeping the place cool.



With louvers opened at a desired angle, protection is still provided for light rain penetration meanwhile ventilation and shade protection is still achieved.



In the event of rain, our louvers close to provide complete protection. Water is channeled away discreetly through our internal drain hidden inside the pergola post.

OPTIONAL SIZES & COLORS

Optional Sizes



● 3 x 3m



● 3 x 4m



● 6 x 4m

Optional Colors



Dark Gray



White



OPTIONAL ITEMS





Balcony



Villa



Deck



Terrace